

NOTE: This page is for reference only and will not be included in the application. Only the drawings require review, edits, and approval. This page will not be edited during the illustration phase. If you would like an additional detail called out, please note it on the drawings and we will add it to the parts list. Any pertinent edits to the written description should be brought to the attention of your attorney.

“Air Bag Support System for Athletic Shoes”

Drawing Figure Description

- Fig 1:** *is a perspective view of the invention installed in a shoe*
Fig 2: *is a perspective view of the invention with airbag 10 deployed*
Fig 3: *is an exploded view of the invention, including the application 42*
Fig 4: *is a side view of the invention*
Fig 5: *is a rear view of the invention*
Fig 6: *is a perspective view of the invention with airbag 10 deployed*

Itemized Parts List

- 10:** *is the air bag*
12: *is the replaceable air cartridge*
14: *is the air bag door*
16: *is the airbag access button*
18: *is the printed circuit board*
20: *is the battery*
22: *is the central processing unit*
24: *is the Bluetooth chip*
26: *is the case*
28: *are the sole sensors*
30: *are the side sensors*
32: *is the shoe*
34: *is the sole*
36: *is the user*
38: *is the Bluetooth signal*
40: *is the mobile device*
42: *is the application*

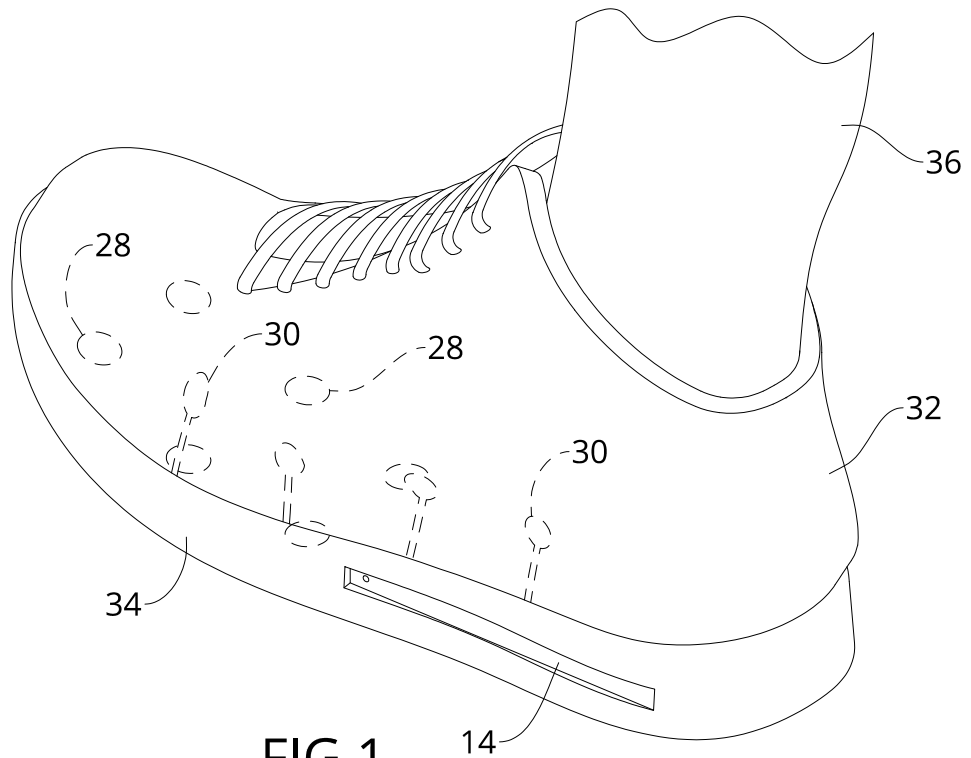


FIG. 1

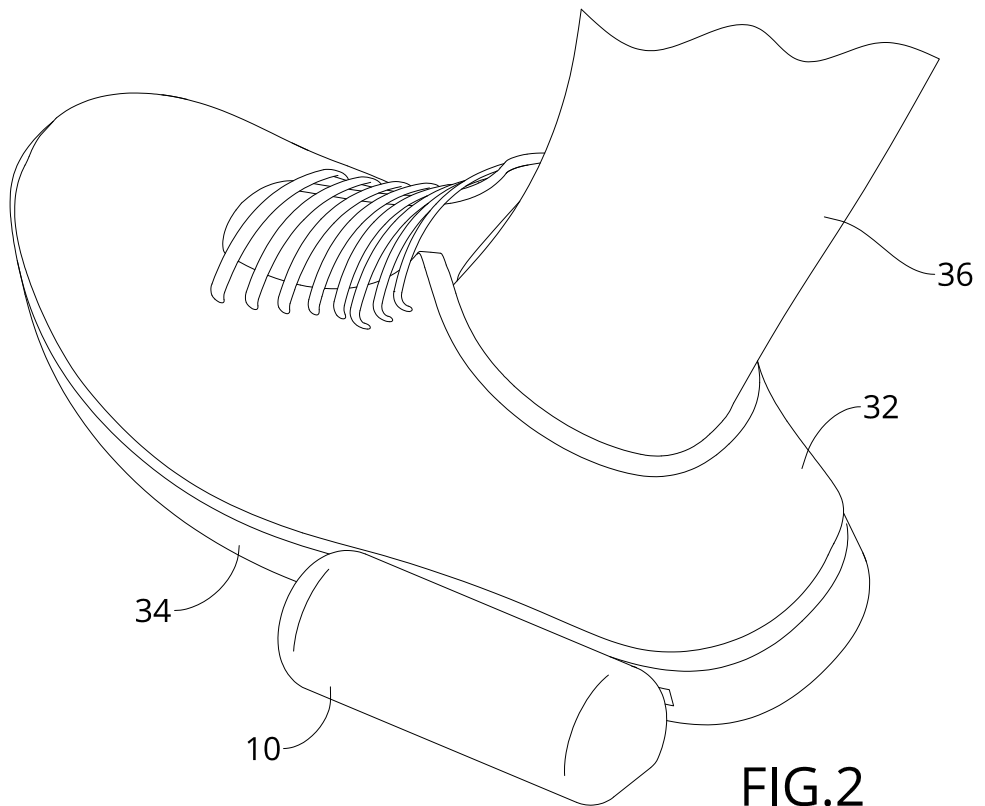
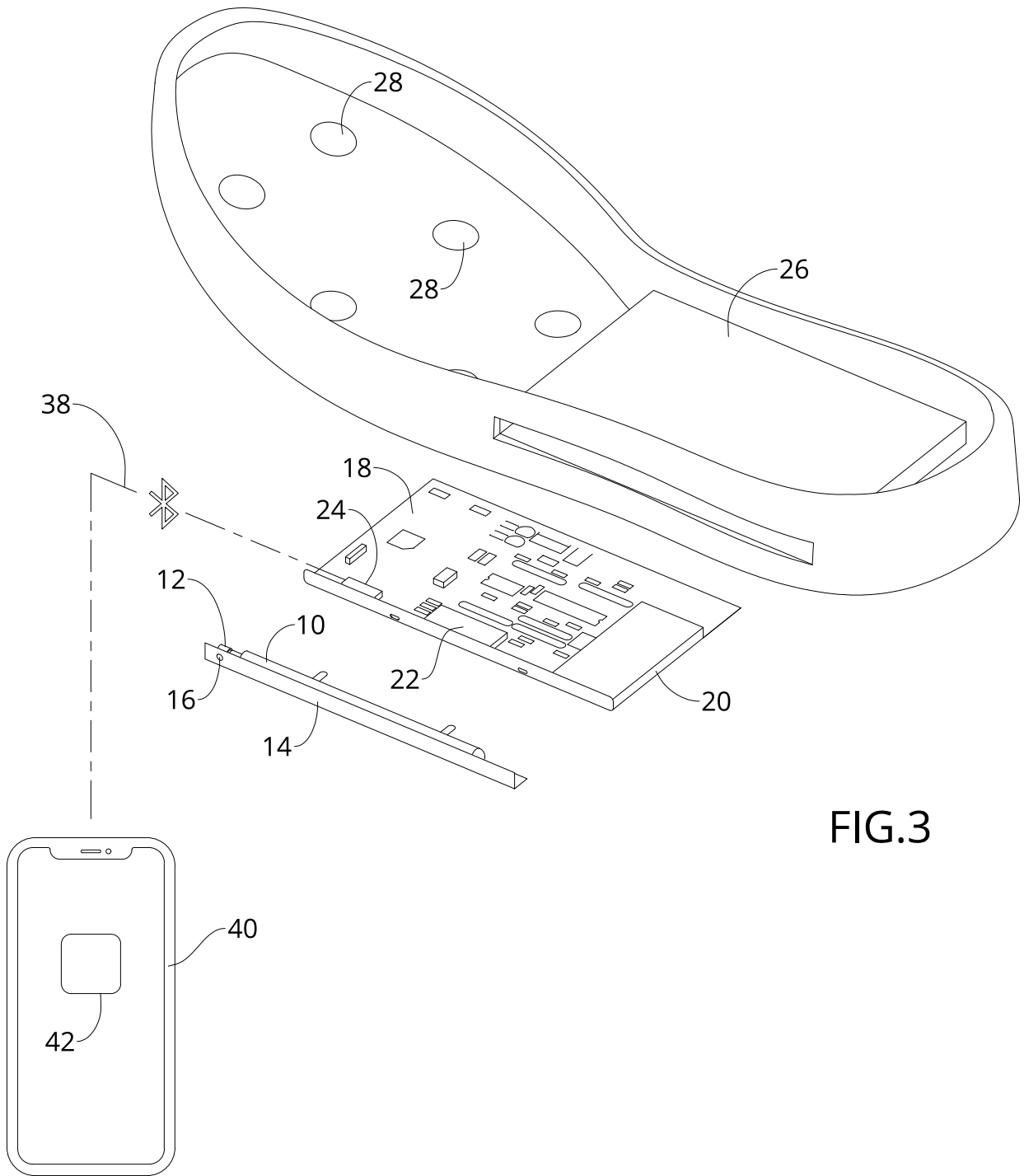


FIG. 2



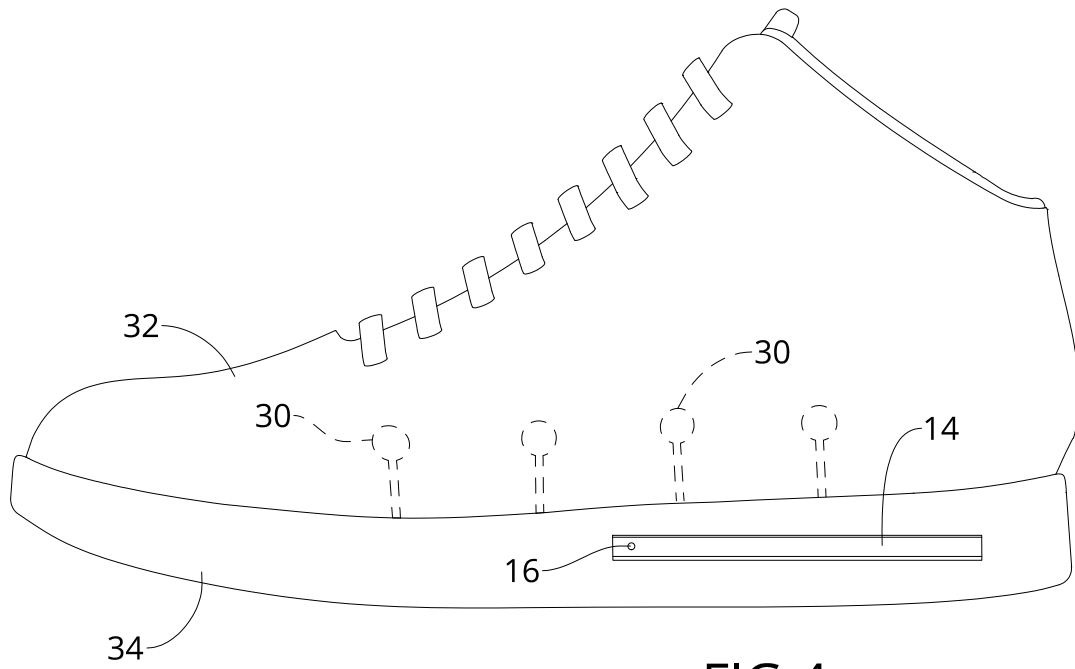


FIG. 4

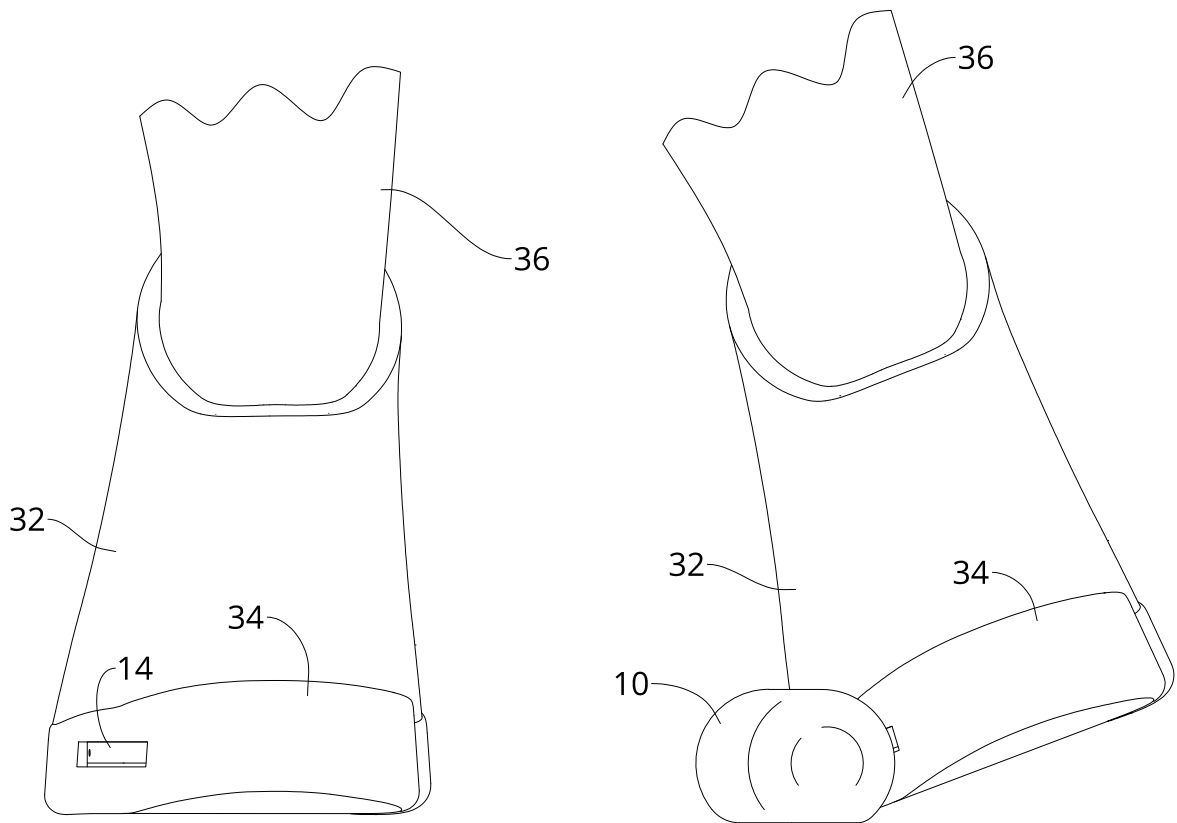


FIG. 5

FIG. 6